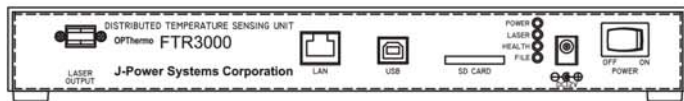
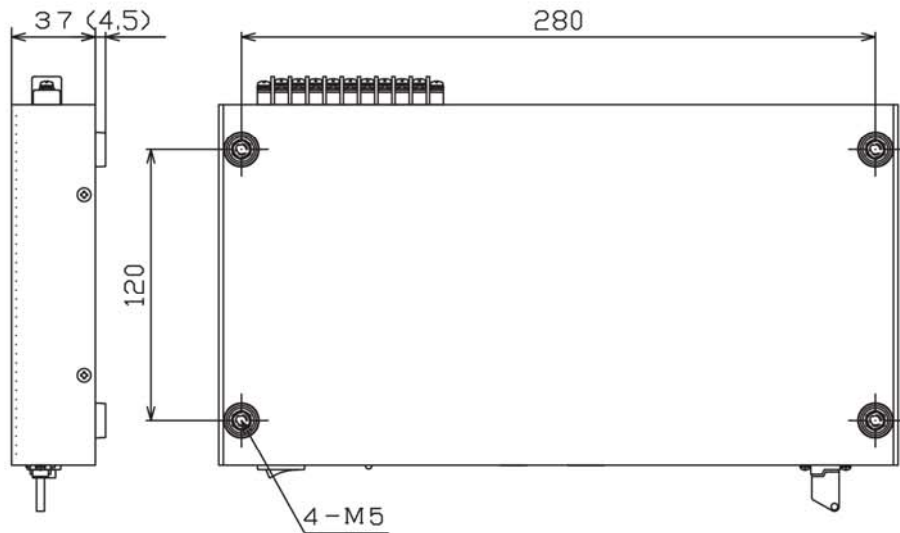
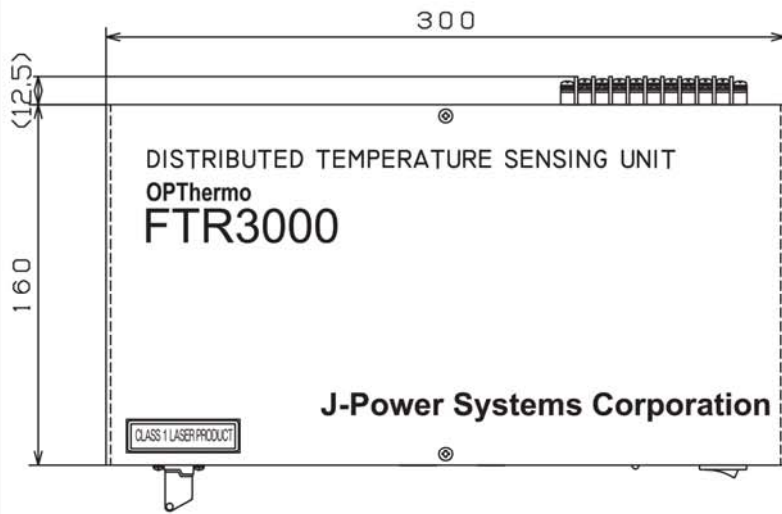


REV	DESCRIPTION	DATE	DRAWN	DESIGNED	APPROVED



Main body material: Steel
Painting color: 5Y8/1

DRAWN	NHashimoto	
DESIGNED	T.Shioji	SCALE $\frac{1}{1}$
APPROVED	K.Hashiba	16 Apr. '15

FTR3000

SUMITOMO ELECTRIC INDUSTRIES, LTD.	DRG.No.	JPH401428	
------------------------------------	---------	-----------	--